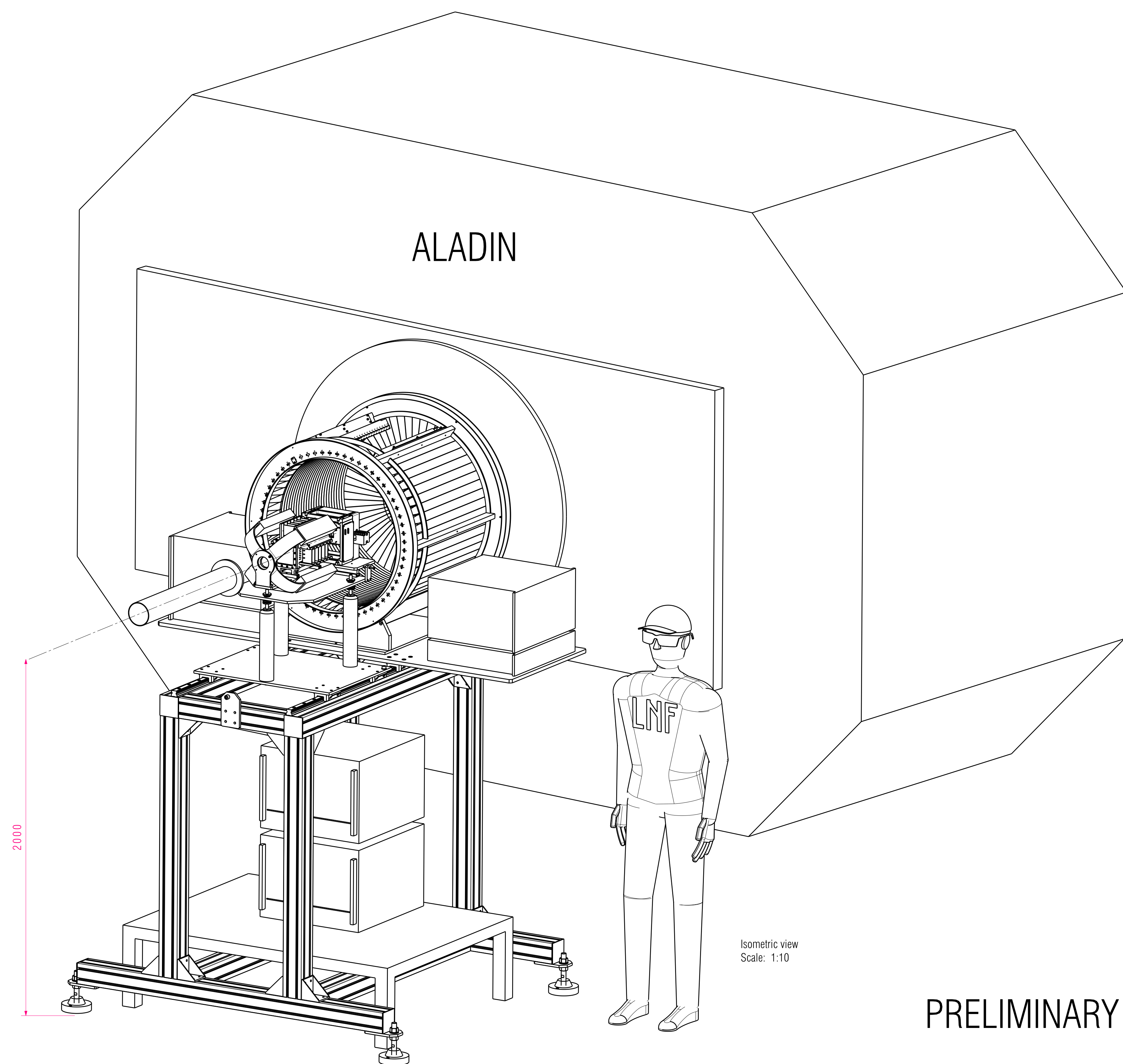

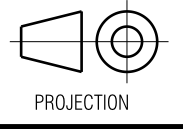


Section view A-A  
Scale: 1:6



PRELIMINARY

PART N	DRAWING	MATERIAL	DENOMINATION	WEIGHT	Q.TY
General tolerance ISO 2768-mK-E		Geometrical tolerance ISO 8015-E		Roughness ISO 1302	
 NATIONAL INSTITUTE FOR NUCLEAR PHYSICS FRASCATI NATIONAL LAB S.P.A.S.		SIZE A0 	REGION D DATE 12/05/2011 NAME S.Cerioni A DATE 18/04/2011 NAME S.Cerioni WORK DESIGNING DATE 20/01/2011 S.Cerioni CHECKED DATE APPROVED DATE	Product6	
Exp.TPS General Assembly					